
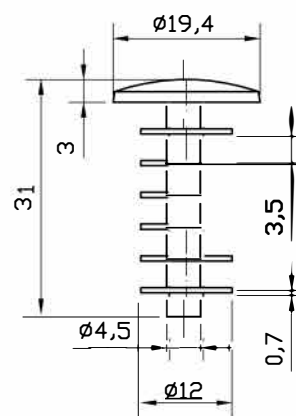
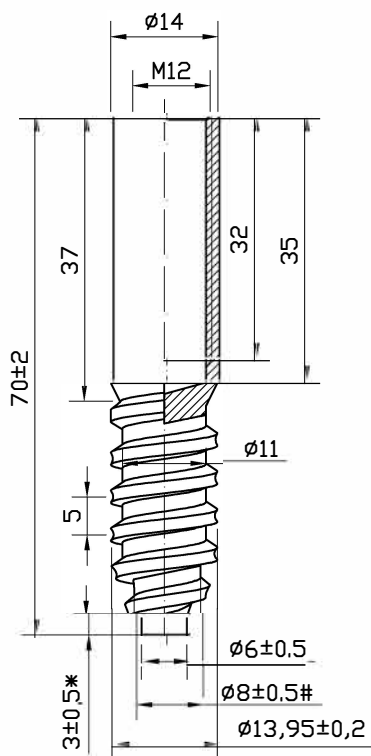



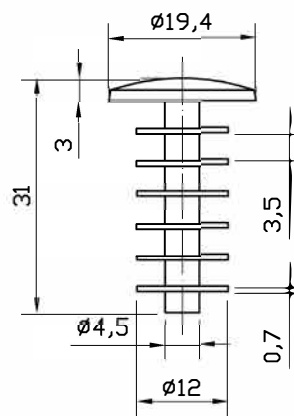
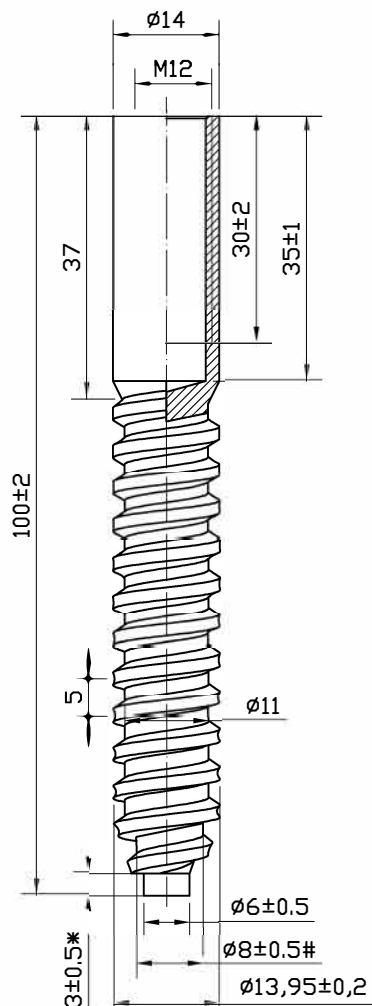
- # The dimension is taken from the second spiral thread and may not be exactly centred
- \* The dimension is taken from the last spiral thread in the middle axis and may vary on the thread geometry

Dimensions without tolerances indicated refer to: UNI EN 22768 - f K	 Proventure Solutions Limited	DESCRIPTION PROVAA10100 PRO V Asphalt anchor M10x100mm	DRAWING DATE 29/06/2021 <small>CUSTOMER/SUPPLIER DRAWING N°</small>																		
		MATERIAL 11SMnPb37 UNI EN 10087	SCALE 1 : 1																		
Bevel and fillet radii measurements approximated		COATING Zincplated Fe/Zn 5 UNI EN ISO 2081	DRAWING N° V-0528																		
<table border="1"> <thead> <tr> <th>MODIFY</th> <th>MODIFY DATE</th> <th>DESCRIPTION</th> <th>SIGN</th> <th>INTERNAL CODE</th> <th>WEIGHT (gr)</th> </tr> </thead> <tbody> <tr> <td>1</td> <td></td> <td></td> <td></td> <td rowspan="2">52191</td> <td rowspan="2">-</td> </tr> <tr> <td>2</td> <td></td> <td></td> <td></td> </tr> </tbody> </table>	MODIFY	MODIFY DATE	DESCRIPTION	SIGN	INTERNAL CODE	WEIGHT (gr)	1				52191	-	2								
MODIFY	MODIFY DATE	DESCRIPTION	SIGN	INTERNAL CODE	WEIGHT (gr)																
1				52191	-																
2																					




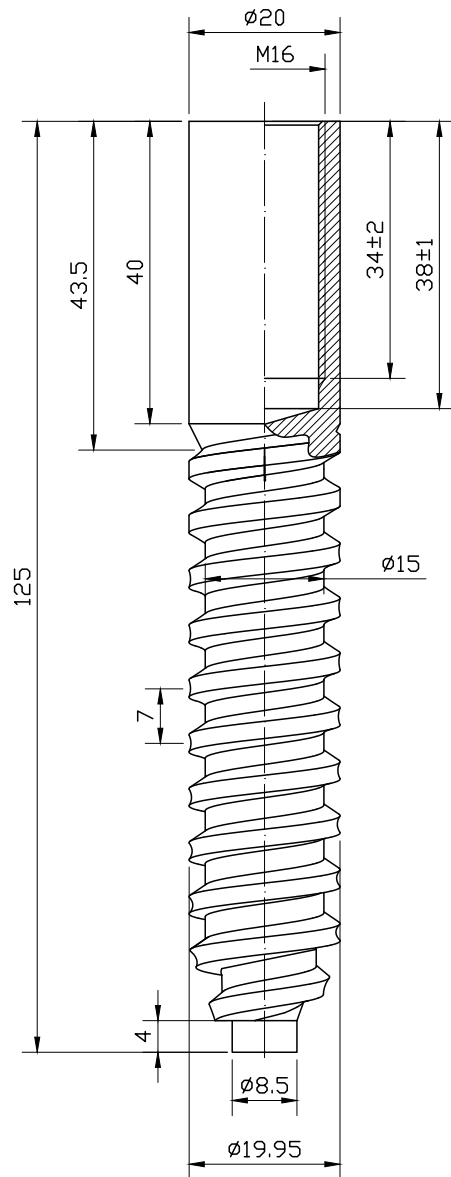
- # The dimension is taken from the second spiral thread and may not be exactly centred  
 \* The dimension is taken from the last spiral thread in the middle axis and may vary on the thread geometry

Dimensions without tolerances indicated refer to: UNI EN 22768 - f K		 Proventure Solutions Limited	DESCRIPTION		DRAWING DATE		
			PROVAA1270 PRO V Asphalt anchor M12x70mm		29/06/2021		
Bevel and fillet radii measurements approximated			MATERIAL		SCALE		
			11SMnPb37 UNI EN 10087		1 : 1		
			COATING		DRAWING N°		
			Zincplated Fe/Zn 5 UNI EN ISO 2081		V-0557		
MODIFY	MODIFY DATE	DESCRIPTION			SIGN	INTERNAL CODE	WEIGHT (gr)
1						52192	-
2							




- # The dimension is taken from the second spiral thread and may not be exactly centred
- \* The dimension is taken from the last spiral thread in the middle axis and may vary on the thread geometry

Dimensions without tolerances indicated refer to: UNI EN 22768 - f K  Bevel and fillet radii measurements approximated	  Proventure Solutions Limited	DESCRIPTION PROVAA12100 PRO V Asphalt anchor M12x100mm	DRAWING DATE 29/06/2021 <small>CUSTOMER/SUPPLIER DRAWING N°</small>																		
		MATERIAL 11SMnPb37 UNI EN 10087	SCALE 1 : 1																		
		COATING Zinco-plated Fe/Zn 5 UNI EN ISO 2081	DRAWING N° V-0529																		
<table border="1"> <thead> <tr> <th>MODIFY</th> <th>MODIFY DATE</th> <th>DESCRIPTION</th> <th>SIGN</th> <th>INTERNAL CODE</th> <th>WEIGHT (gr)</th> </tr> </thead> <tbody> <tr> <td>1</td> <td></td> <td></td> <td></td> <td rowspan="2">52193</td> <td rowspan="2">-</td> </tr> <tr> <td>2</td> <td></td> <td></td> <td></td> </tr> </tbody> </table>	MODIFY	MODIFY DATE	DESCRIPTION	SIGN	INTERNAL CODE	WEIGHT (gr)	1				52193	-	2								
MODIFY	MODIFY DATE	DESCRIPTION	SIGN	INTERNAL CODE	WEIGHT (gr)																
1				52193	-																
2																					



# The dimension is taken from the second spiral thread and may not be exactly centred  
 \* The dimension is taken from the last spiral thread in the middle axis and may vary on the thread geometry

Dimensions without tolerances indicated refer to: UNI EN 22768 - f K  Bevel and fillet radii measurements approximated	  Proventure Solutions Limited	DESCRIPTION PROVAA16125 PRO V Asphalt anchor M16x125mm	DRAWING DATE 07/04/2022 <small>CUSTOMER/SUPPLIER DRAWING N°</small>																		
		MATERIAL 11SMnPb37 UNI EN 10087	SCALE 1 : 1																		
		COATING Zincplated Fe/Zn 5 UNI EN ISO 2081	DRAWING N° V-0555																		
<table border="1"> <thead> <tr> <th>MODIFY</th> <th>MODIFY DATE</th> <th>DESCRIPTION</th> <th>SIGN</th> <th>INTERNAL CODE</th> <th>WEIGHT (gr)</th> </tr> </thead> <tbody> <tr> <td>1</td> <td></td> <td></td> <td></td> <td rowspan="2">52194</td> <td rowspan="2">-</td> </tr> <tr> <td>2</td> <td></td> <td></td> <td></td> </tr> </tbody> </table>	MODIFY	MODIFY DATE	DESCRIPTION	SIGN	INTERNAL CODE	WEIGHT (gr)	1				52194	-	2								
MODIFY	MODIFY DATE	DESCRIPTION	SIGN	INTERNAL CODE	WEIGHT (gr)																
1				52194	-																
2																					